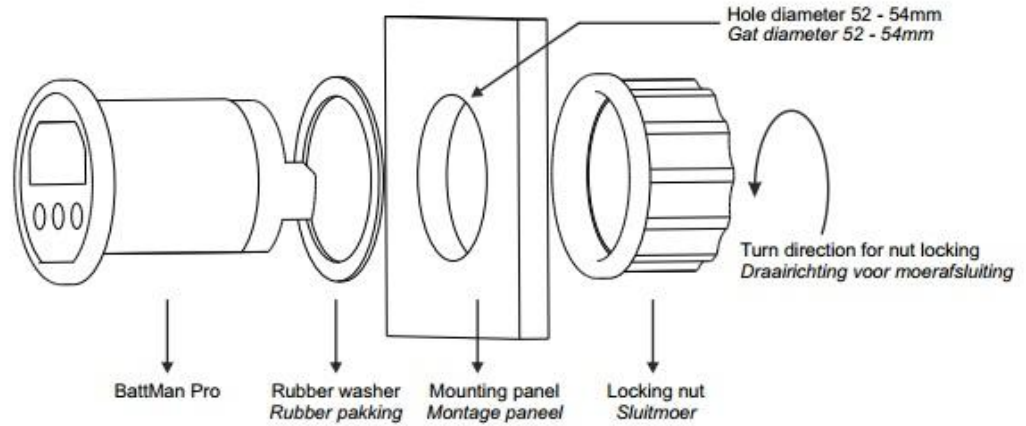


Mounting sequence
Montage volgorde



Battery positive 'MAIN' (to load e.g. charger or inverter)
Batterij positief 'MAIN' (naar belasting b.v. lader of omvormer)

Battery negative (system ground)
Batterij negatief (systeem min)

Battery positive 'AUX' (to load e.g. charger or starter motor)
Batterij positief 'AUX' (naar belasting b.v. lader of startmotor)

- * Make sure the batteries you install are always in good health, preferably fully charged
- * Installeer alleen 'gezonde', bij voorkeur reeds volledig geladen, batterijen

